



Home Sewing Machine

PARTS REFERENCE LIST

MODEL: NV900

CONFIDENTIAL

©2008 Brother Industries, Ltd.
All rights reserved.

Published: Jan.,2008
Revised: May,2014

MODEL LIST

| Model | Countries (Added Date) |
|-------|---|
| NV900 | IRE, DEU, UK, BEL&FRA, ESP, ITA, CHE, EEU, RUS (Feb / 2011) |
| NV900 | NEU, KOR, HKG, SGP&UAE, AUS&NZL, TUR (Feb / 2011) |
| | |
| | |
| | |
| | |
| | |
| | |
| | |
| | |
| | |
| | |
| | |
| | |
| | |
| | |
| | |
| | |
| | |
| | |
| | |
| | |
| | |
| | |
| | |
| | |
| | |
| | |

Country Code & Abbreviation of Country Name

| Country Code | Abbr. | Country Name | Country Code | Abbr. | Country Name | Country Code | Abbr. | Country Name |
|-------------------|------------|-------------------|---------------|------------|----------------|---------------------|------------|----------------------|
| USA/Canada | | | Europe | | | Asia/Oceania | | |
| 200 | USA | America | 401 | ZAF | South Africa | 601 | KOR | Korea |
| 251 | CAN | Canada | 402 | EGY | Egypt | 603 | TWN | Taiwan |
| | | | 411 | MUS | Mauritius | 604 | HKG | Hong Kong |
| 301 | PER | Peru | | | | 605 | VNM | Vietnam |
| 302 | ARG | Argentina | 501 | IRE | Ireland | 606 | IDN | Indonesia |
| 303 | CHL | Chile | 502 | DEU | Germany | 607 | PHL | Philippines |
| 304 | PRY | Paraguay | 503 | BEL | Belgium | 608 | MYS | Malaysia |
| 305 | URY | Uruguay | 505 | UK | United Kingdom | 609 | SGP | Singapore |
| 306 | BRA | Brazil | 506 | FRA | France | 615 | IND | India |
| 307 | VEN | Venezuela | 507 | NOR | Norway | 616 | THA | Thailand |
| 308 | MEX | Mexico | 508 | NLD | Netherlands | 622 | CHN | China |
| 309 | COL | Colombia | 509 | AUT | Austria | | | |
| 310 | PAN | Panama | 510 | GRC | Greece | 701 | AUS | Australia |
| 318 | GTM | Guatemala | 511 | SWE | Sweden | 702 | NZL | New Zealand |
| 324 | GUF | FR. Guiana | 515 | ESP | Spain | | | |
| 330 | BRB | Barbados | 516 | PRT | Portugal | 902 | ISR | Israel |
| 399 | - | Latin America 2&5 | 517 | ITA | Italy | 903 | SYR | Syria |
| | | | 519 | FIN | Finland | 904 | TUR | Turkey |
| | | | 520 | CHE | Switzerland | 905 | JOR | Jordan |
| | | | 521 | DNK | Denmark | 906 | KWT | Kuwait |
| | | | 524 | MLT | Malta | 908 | SAU | Saudi Arabia |
| | | | 550 | EEU | East Europe | 909 | IRQ | Iraq |
| | | | 556 | RUS | Russia | 910 | IRN | Iran |
| | | | 599 | NEU | North Europe | 911 | CYP | Cyprus |
| | | | | | | 915 | UAE | United Arab Emirates |
| | | | | | | | | |
| | | | | | | | | |
| | | | | | | | | |
| | | | | | | | | |
| | | | | | | | | |
| | | | | | | | | |

Meaning of "R" and "H"

| No. | CODE | NAME | R/H | REMARKS |
|-----|-----------|-------------------------------|-----|--|
| 1 | XA9644050 | T BELT | H | High mortality parts |
| 2 | XA8474051 | UPSET 4X12 DB | | |
| 3 | XA9652150 | MOTOR FAN | | |
| 4 | XC5764051 | MOTOR HOLDER BASE | | |
| 5 | X57908052 | TAPTITE, BIND S M4X10 | | |
| 6 | XE8185001 | MAIN MOTOR ASSY | R/H | Recommend spare parts & High mortality parts |
| 7 | XC6481051 | MOTOR CAP | | |
| 8 | XA9649050 | FEEDER TUBE 3X | | |
| 9 | XC0443051 | SPACER 4X7 | | |
| 10 | XA9650051 | MOTOR SPACER PRESSER | | |
| 11 | 052401605 | SCREW, PAN (S/P WASHER) M4X16 | | |
| 12 | XC5762051 | MOTOR HOLDER | | |
| 13 | XC5763051 | MOTOR HOLDER SPACER | | |
| 14 | XE1142001 | NEEDLE PLATE | R | Recommend spare parts |
| 15 | XC6404051 | SCREW, FLAT M4 | | |

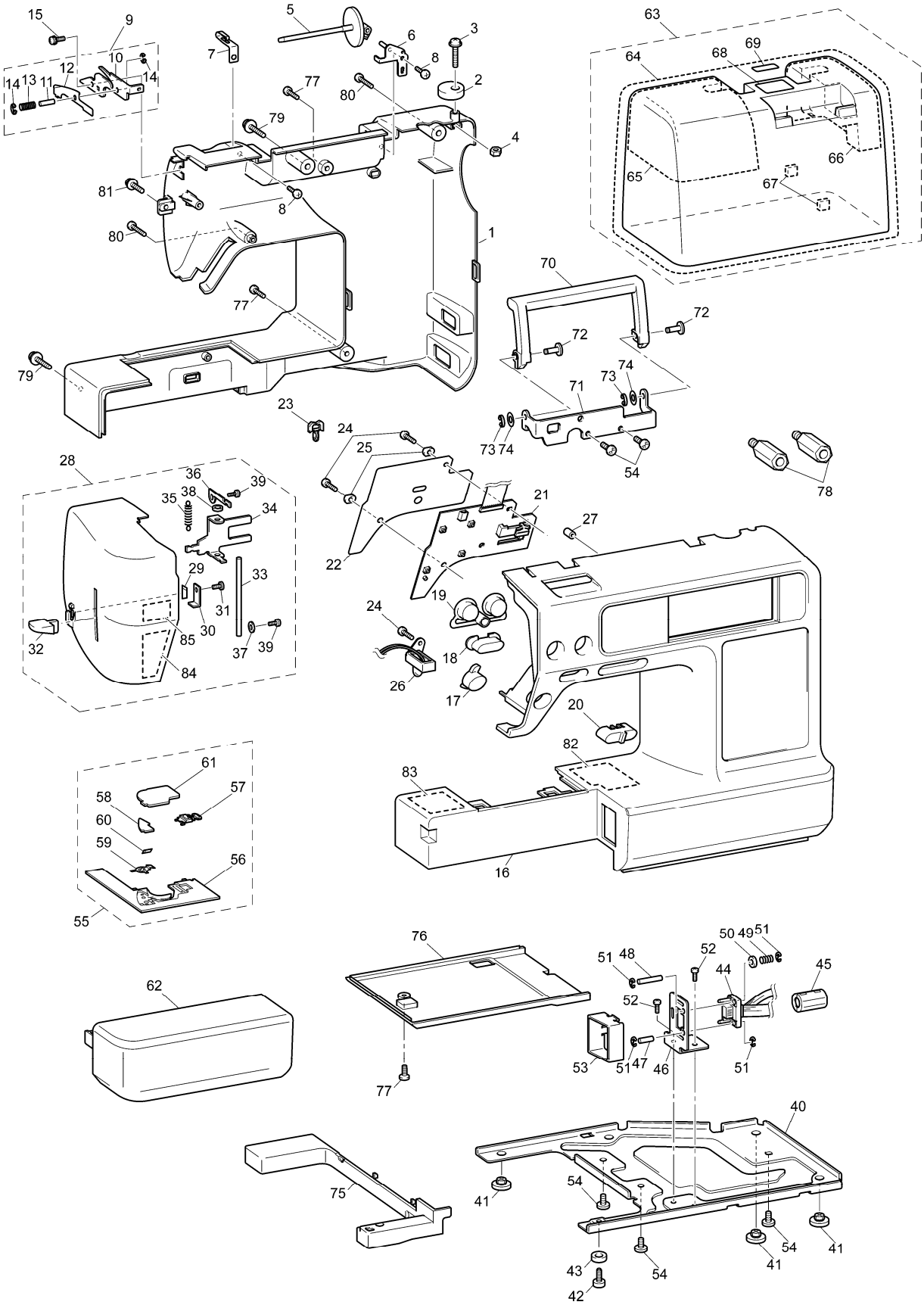
CONTENTS

| | | |
|-------|---|----|
| (1) | MAIN FRAME / COVER | 2 |
| (2) | UPPER SHAFT / NEEDLE BAR / PRESSER FOOT UNIT..... | 4 |
| (3)-1 | FEED UNIT (New type) | 8 |
| (3)-2 | FEED UNIT (Old type)..... | 10 |
| (4) | THREAD CUTTING UNIT..... | 12 |
| (5) | BOBBIN WINDING / NEEDLE THREADING MECHANISM | 14 |
| (6) | ELECTRIC PARTS / MAIN MOTOR UNIT | 16 |
| (7) | EMBROIDERY UNIT | 18 |
| (8) | ACCESSORY PARTS / USER MANUAL / PACKAGE | 20 |
| | SPARE PARTS | 22 |

Note on parts:

We keep performance parts for this sewing machine for at least 8 years after this model is discontinued. Performance parts are the necessary parts to maintain the function of the sewing machine.

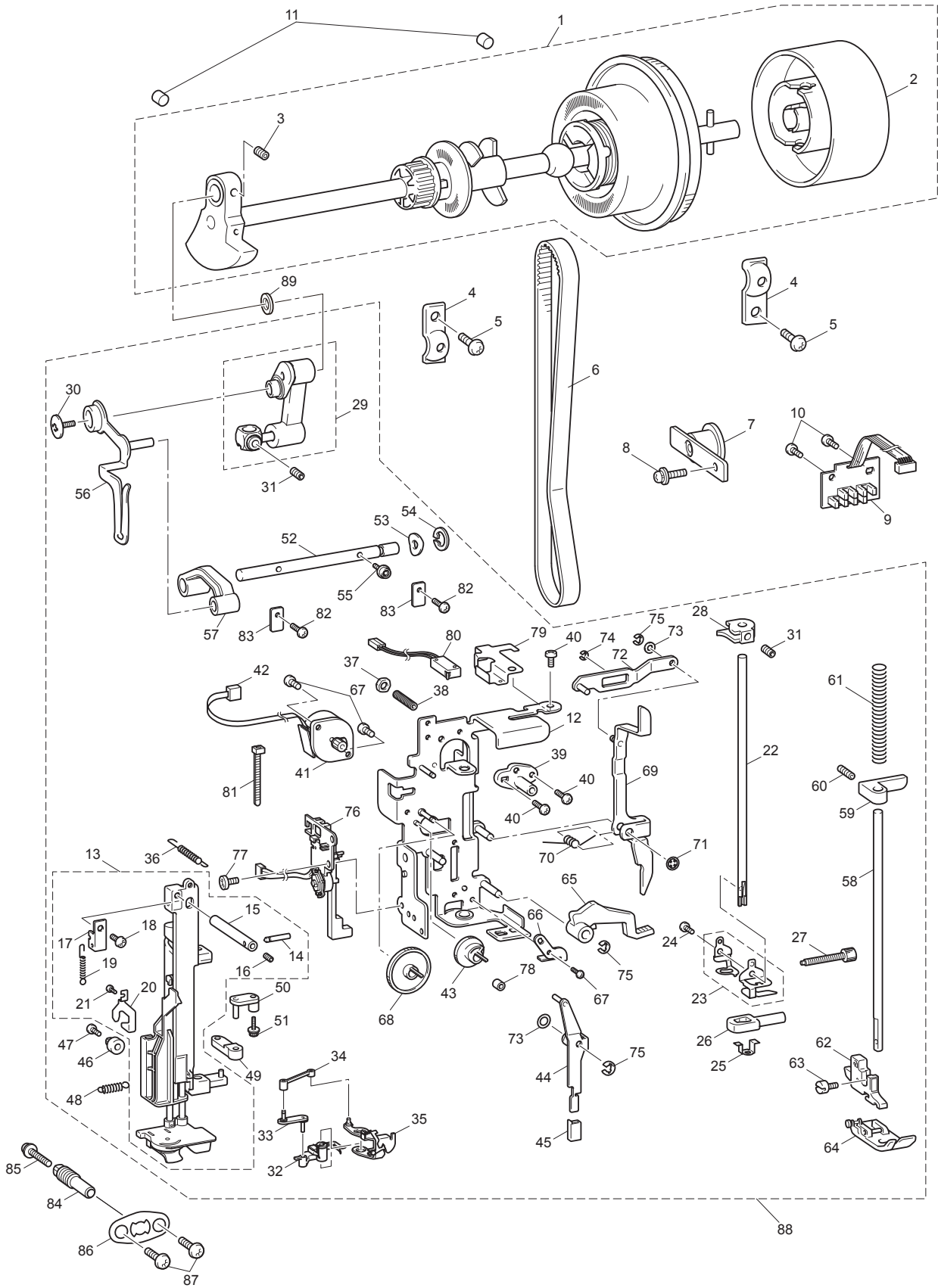
(1) MAIN FRAME / COVER



(1) MAIN FRAME / COVER

| No. | CODE | NAME | R/H | REMARKS | No. | CODE | NAME | R/H | REMARKS |
|-----|-----------|--------------------------------|-----|------------|-----|-----------|--------------------------------|-----|------------|
| 1 | XE3351001 | REAR COVER | R | | 45 | XE1829001 | FERRITE CORE: K1NF-75(N)BK2 | | |
| 2 | XC4517151 | BOBBIN PRESSER | | | 46 | XE2942001 | CONNECTOR HOLDER | | |
| 3 | 0A4302006 | SCREW PAN (S/P WASHER) M3X20 | | | 47 | XD0353051 | ES PIN F-A | | |
| 4 | 021300106 | NUT 1 M3 | | | 48 | XD0945051 | ES PIN F-B | | |
| 5 | XA1786053 | SPOOL PIN | | | 49 | XD0967051 | SPRING, COMPRESSION | | |
| 6 | XE1394001 | SPOOL PIN HOLDER ASSY | | | 50 | XC2514021 | FEED BAR SPACER | | |
| 7 | XE1490101 | THREAD GUIDE SUPPORTING PLATE | | | 51 | 048020343 | RETAINING RING E2 | | 1000038911 |
| 8 | 085311216 | TAPTITE BIND B M3X12 | | | 52 | 060300516 | SCREW BIND M3X5 | | |
| 9 | XE2910001 | THREAD GUIDE PLATE ASSY | | | 53 | XE3145001 | CONNECTOR HOLDER COVER | | |
| 10 | XE2911001 | THREAD GUIDE PLATE | | | 54 | X57908021 | TAPTITE, BIND S M4X10 | | |
| 11 | XE2912001 | SHAFT | | | 55 | XD0354251 | NEEDLE PLATE B ASSY | | |
| 12 | XE2913001 | THREAD GUIDE SPRING | | | 56 | XD0355251 | NEEDLE PLATE B | H | |
| 13 | X57605051 | SPRING | | | 57 | XC7371022 | SLIDE BUTTON | | |
| 14 | 048020343 | RETAINING RING E2 | | 1000038911 | 58 | XD1666052 | CUTTER COVER | | |
| 15 | X59642021 | SCREW | | | 59 | XD1461051 | NEEDLE PLATE COVER SPRING | | |
| 16 | XE4291001 | FRONT COVER SUPPLY ASSY | R | | 60 | X80321021 | NT LOWER THREAD CUTTER | H | |
| 17 | XE3096101 | SS BUTTON | | | 61 | XD1645021 | NEEDLE PLATE COVER SUPPLY ASSY | H | |
| 18 | XE2927001 | REVERSE BUTTON | | | 62 | XE2943201 | ACCESSORY TABLE ASSY | | |
| 19 | XE2929001 | NP BUTTON | | | 63 | XE5549001 | CASE ASSEMBLY (KOR) | | |
| 20 | XE2931001 | SV KEY TOP | | | | XE3862001 | CASE ASSEMBLY (OTHER) | | |
| 21 | XE2934001 | SSVR PCB ASSY: CCOM | | | 64 | XE3838001 | BAG 750X600H | | |
| 22 | XE2935001 | INSULATOR SHEET: CCOM SS | | | 65 | XE2949001 | POLYSYRENE FOAM PAD CASE L | | |
| 23 | XC3751021 | MINI CLAMP: UAMS-02 | | | 66 | XE2950001 | POLYSYRENE FOAM PAD CASE R | | |
| 24 | 085311016 | TAPTITE BIND B M3X10 | | | 67 | 125440050 | CASE FELT | | |
| 25 | XC6363021 | BOARD PRESSER | | | 68 | XD0271021 | MODEL MARK | | |
| 26 | XE2367001 | LED LAMP RIGHT SUPPLY ASSY LE1 | | | 69 | XE1983001 | CAUTION SEAL (KOR) | | |
| 27 | XE3376001 | RUBBER | | | 70 | XE1447201 | HANDLE | | 1000029226 |
| 28 | XE2937001 | FACE PLATE ASSY | R | | 71 | XE2953001 | HANDLE HOLDER | | |
| 29 | X80321021 | NT LOWER THREAD CUTTER | H | | 72 | XE1449001 | HANDLE SHAFT | | |
| 30 | XE1435001 | FACE PLATE CUTTER HOLDER | | | 73 | 048040343 | RETAINING RING E4 | | 1000038911 |
| 31 | 138433021 | TAPTITE, PAN B M3X6 | | | 74 | 137713020 | POLYESTER SLIDER | | |
| 32 | XC9604051 | NEEDLE THREAD LEVER KNOB | | | 75 | XE2954001 | BASE FOOT COVER | | |
| 33 | XA5825051 | NEEDLE THREAD LEVER SHAFT | | | 76 | XE2955001 | BOTTOM COVER | | |
| 34 | XC3039151 | NEEDLE THREAD LEVER | | | 77 | 060400816 | SCREW BIND M4X8 | | |
| 35 | 138260051 | THREAD THROUGH LEVER SPRING | | | 78 | XE2956001 | STUD | | |
| 36 | XA6320050 | SHAFT PRESSER PLATE | | | 79 | 087411416 | TAPTITE CUP B M4X14 | | |
| 37 | XA5525051 | WASHER, PLAIN | | | 80 | 085301616 | TAPTITE BIND P M3X16 | | |
| 38 | XC0508020 | RUBBER WASHER | | | 81 | XC7568051 | SCREW, PAN (S/P WASHER) M4X14 | | |
| 39 | 085311016 | TAPTITE BIND B M3X10 | | | 82 | XE3359101 | UPPER THREAD GUIDE LABEL | | |
| 40 | XE2941001 | BASE PLATE | | | 83 | XG0195001 | LOWER THREAD GUIDE LABEL | | 1000043067 |
| 41 | XA1805021 | BASE RUBBER A | H | | 84 | XE3361101 | THREAD GUIDE LABEL | | |
| 42 | XC3471021 | ADJUSTING SCREW | | | 85 | XC4167021 | CAUTION STICKER (KOR) | | |
| 43 | XC3472021 | BASE PLATE RUBBER | H | | | XE5773001 | STICKER FOR TURKEY (TUR) | | |
| 44 | XD0351051 | LEAD WIRE ASSY MAIN BODY FCOMB | | | | | | | |

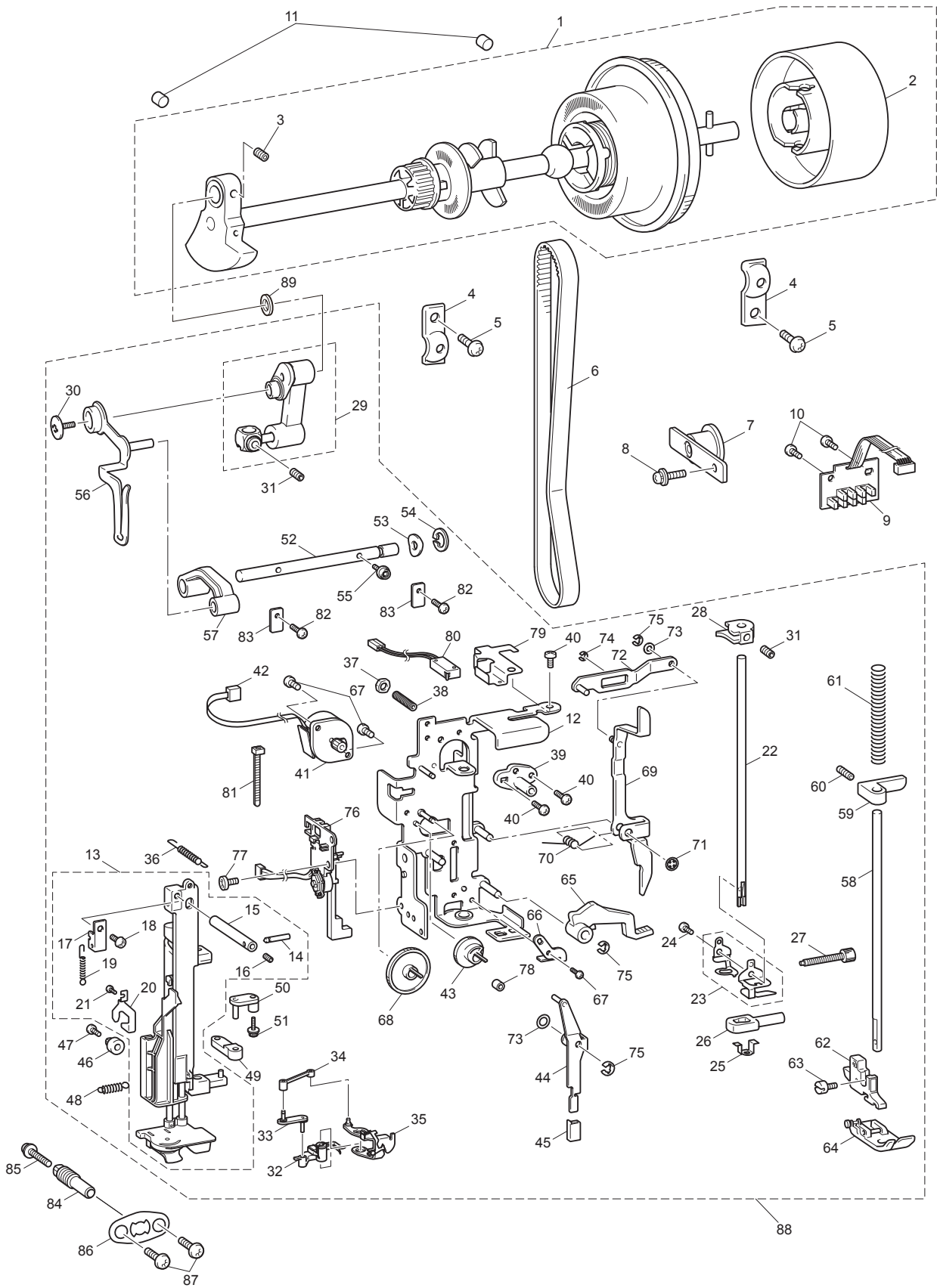
(2) UPPER SHAFT / NEEDLE BAR / PRESSER FOOT UNIT



(2) UPPER SHAFT / NEEDLE BAR / PRESSER FOOT UNIT

| No. | CODE | NAME | R/H | REMARKS | No. | CODE | NAME | R/H | REMARKS |
|--------------------------------|------------------|-------------------------------|-----|-------------------|-----|------------------|-----------------------------|-----|-------------------|
| UPPER SHAFT MECHANISM | | | | | | | | | |
| 1 | XE3707001 | UPPER SHAFT SUPPLY ASSY | H | | 43 | XE2977001 | Z ZIGZAG CAM | | |
| 2 | XC2375051 | PULLEY | | | 44 | XC8761121 | Z ZIGZAG LEVER ASSY | | |
| 3 | 012500532 | SET SCREW SOCKET (FT) M5X5 | | | 45 | XC8764020 | Z LEVER CAP | | |
| 4 | 132421021 | BUSHING PRESSER | | | 46 | XC2435020 | ZIGZAG ADJUSTING NUT | | |
| 5 | X57908021 | TAPTITE, BIND S M4X10 | | | 47 | 018301032 | BOLT SOCKET M3X10 | | |
| 6 | XE5842001 | TIMING BELT 420-5KC-6 | H | 1000034635 | 48 | XC2748021 | SPRING-Z | | |
| 7 | XE3581001 | TENSION PULLEY ASSEMBLY | | | 49 | XC2436021 | NEEDLE HOLDER BLOCK | | |
| 8 | 138172021 | SCREW, PAN (S/P WASHER) M4X10 | | | 50 | XC2437021 | SHAFT ASSY | | |
| 9 | XE3036001 | NP PCB ASSY CCOM | | | 51 | XC3037021 | SCREW3X10 | | |
| 10 | 060400816 | SCREW BIND M4X8 | | | 52 | XE1470101 | TAKE-UP SUPPORT SHAFT | | |
| 11 | XC3183051 | FELT | | | 53 | XZ5030001 | WASHER, SPRING | | |
| NEEDLE BAR / PRESSER FOOT UNIT | | | | | | | | | |
| 12 | XE2967001 | BASE HOLDER ASSY CE | | | 54 | 048050343 | RETAINING RING E5 | | 1000038911 |
| 13 | XE2970001 | NEEDLE BAR HOLDER ASSY | H | | 55 | XC3338021 | SCREW3X8 | | |
| 14 | XC2420020 | SHAFT | | | 56 | XC8564031 | THREAD TAKE-UP LEVER | | |
| 15 | XC8754021 | NEEDLE HOLDER SHAFT A | | | 57 | XC4897020 | THREAD TAKE-UP LEVER LINK | | |
| 16 | 014300532 | SET SCREW SOCKET (CP) M3X5 | | | 58 | XC4898021 | PRESSER BAR | | |
| 17 | XC8755020 | PLATE | | | 59 | XC4899121 | PRESSER BAR CLAMP | | |
| 18 | 060300516 | SCREW BIND M3X5 | | | 60 | XC7207021 | SCREW STUD M5 | | |
| 19 | X50476021 | SPRING | | | 61 | XC4900021 | SPRING | | |
| 20 | XE1463001 | HOOK RELEASE PLATE | | | 62 | XE2555101 | PRESSER FOOT HOLDER ASSY | | |
| 21 | 000020416 | SCREW BIND M2X4 | | 1000042428 | 63 | 132730122 | TIGHTENING SCREW 3.57 | H | |
| 22 | XF2685001 | NEEDLE BAR | H | 1000040787 | 64 | XZ5134001 | Z FOOT | | 1000031636 |
| 23 | XE7727201 | N/B THREAD GUIDE SUPPLY ASSY | | 1000027848 | 65 | XE2982001 | PRESSER FOOT LIFTER | H | |
| 24 | X53053052 | SCREW SM2.38 | | | 66 | XE2983001 | EMBROIDERY PRESSER STOPPER | | |
| 25 | XC2426020 | NEEDLE THREAD PLATE | | | 67 | 060300416 | SCREW BIND M3X4 | | |
| 26 | XC2427051 | NEEDLE BLOCK | | | 68 | XE2984001 | T CAM | | |
| 27 | XZ0388251 | NEEDLE CLAMP SCREW | H | | 69 | XE2985001 | THREAD RELEASE LEVER ASSY | | |
| 28 | XC2434021 | NEEDLE THREAD BLOCK | | | 70 | XC4904121 | SPRING | | |
| 29 | XC6562131 | NEEDLE BAR CRANK ROD ASSY | H | | 71 | 146200021 | RETAINING RING, CS4 | | |
| 30 | XE1999001 | SCREW, FLAT SM3.57-40X7 L | | | 72 | XE2988001 | THREAD RELEASER ASSY | | |
| 31 | 012400432 | SET SCREW SOCKET (FT) M4X4 | | | 73 | 137713020 | POLYESTER SLIDER | | |
| 32 | XE1464501 | THREADER HOOK ASSY | H | | 74 | 048020343 | RETAINING RING E2 | | 1000038911 |
| 33 | XD1546051 | LINK A ASSY | | | 75 | 048040343 | RETAINING RING E4 | | 1000038911 |
| 34 | XD1548151 | LINK B | | | 76 | XE3570101 | BH SWITCH ASSY | | 1000031599 |
| 35 | XE1465001 | THREAD GUIDE ASSY | | | 77 | 0A4400806 | SCREW PAN (S/P WASHER) M4X8 | | |
| 36 | XC2429021 | SPRING | | | 78 | XC8773020 | RUBBER | | |
| 37 | X56851021 | LOCK NUT | | | 79 | XE1507001 | PRESSER SWITCH HOLDER | | |
| 38 | 014401232 | SET SCREW SOCKET (CP) M4X12 | | | 80 | XE2991001 | PF SWITCH ASSY: CCOM | | |
| 39 | XC8756021 | SHAFT BUSHING | | | 81 | X53169020 | BAND | | |
| 40 | 060300616 | SCREW BIND M3X6 | | | 82 | X57908021 | TAPTITE, BIND S M4X10 | | |
| 41 | XE2974001 | Z PULSE MOTOR: M35SP-9N CCOM | | | 83 | X50532021 | PRESSER PLATE | | |
| 42 | XE2976001 | LEAD WIRE ASSY ZPM-CCOM | | | 84 | XC2504050 | ADJUSTING SCREW | | |
| | | | | | 85 | XZ0380051 | SCREW, PAN (WASHER) M3X18 | | |
| | | | | | 86 | XC6056120 | PLATE SPRING | | |

(2) UPPER SHAFT / NEEDLE BAR / PRESSER FOOT UNIT

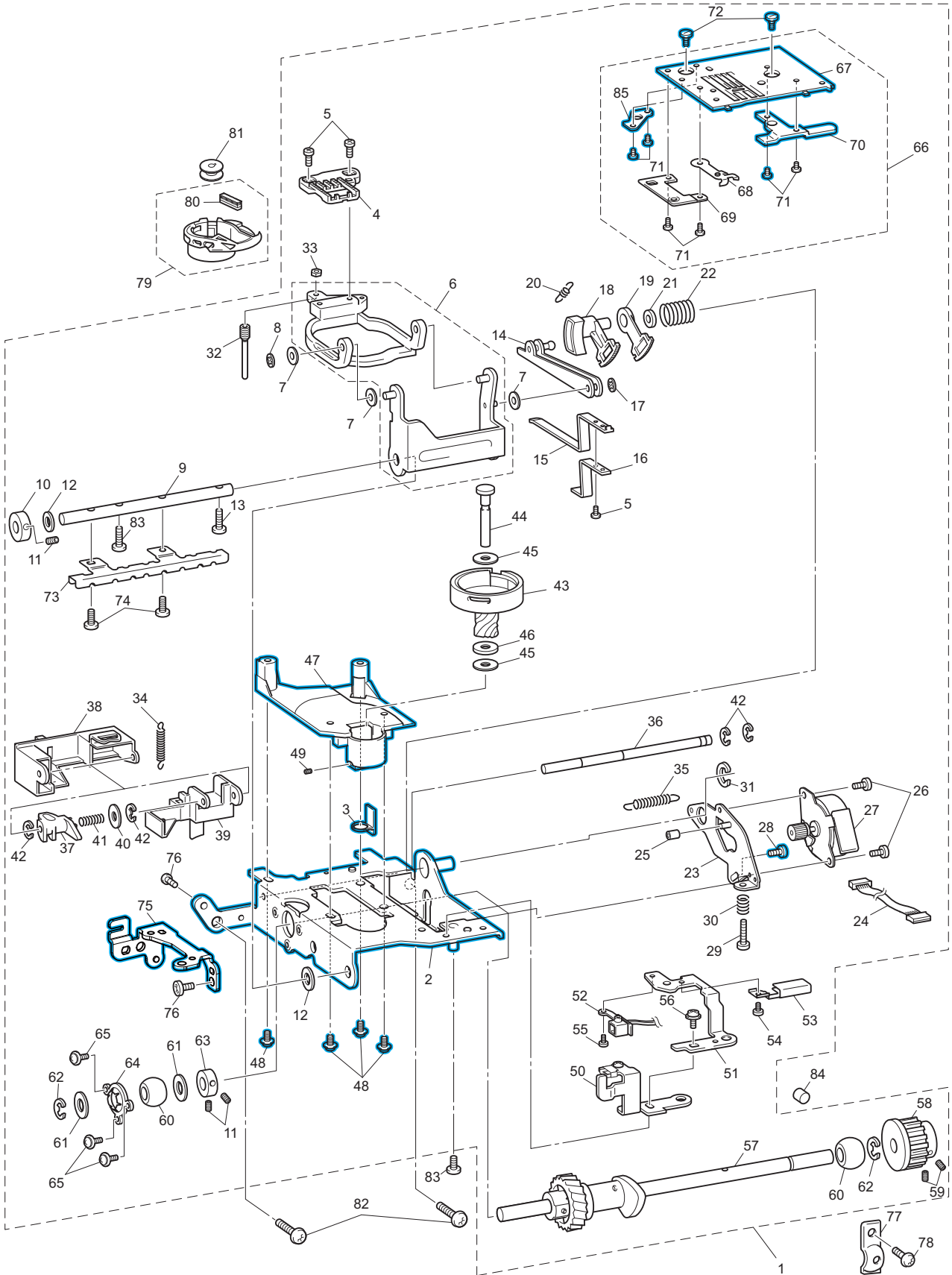


(2) UPPER SHAFT / NEEDLE BAR / PRESSER FOOT UNIT

| No. | CODE | NAME | R/H | REMARKS |
|-----|-----------|----------------------------|-----|------------|
| 87 | 060400816 | SCREW BIND M4X8 | | |
| 88 | XE4809101 | NEEDLE UNIT SUPPLY ASSY CC | | 1000029344 |
| 89 | X53330020 | WASHER | | 1000034663 |
| | | | | |
| | | | | |
| | | | | |
| | | | | |
| | | | | |
| | | | | |
| | | | | |
| | | | | |
| | | | | |
| | | | | |
| | | | | |
| | | | | |
| | | | | |
| | | | | |
| | | | | |
| | | | | |
| | | | | |
| | | | | |
| | | | | |
| | | | | |
| | | | | |
| | | | | |
| | | | | |
| | | | | |
| | | | | |
| | | | | |
| | | | | |
| | | | | |
| | | | | |
| | | | | |
| | | | | |
| | | | | |
| | | | | |
| | | | | |
| | | | | |
| | | | | |
| | | | | |
| | | | | |
| | | | | |
| | | | | |
| | | | | |
| | | | | |
| | | | | |

(3)-1 FEED UNIT (New type)

*There are two types (new type / old type) of the feed unit and the using parts are different. When ordering parts, check the shape of the parts indicated in blue to order appropriate ones.

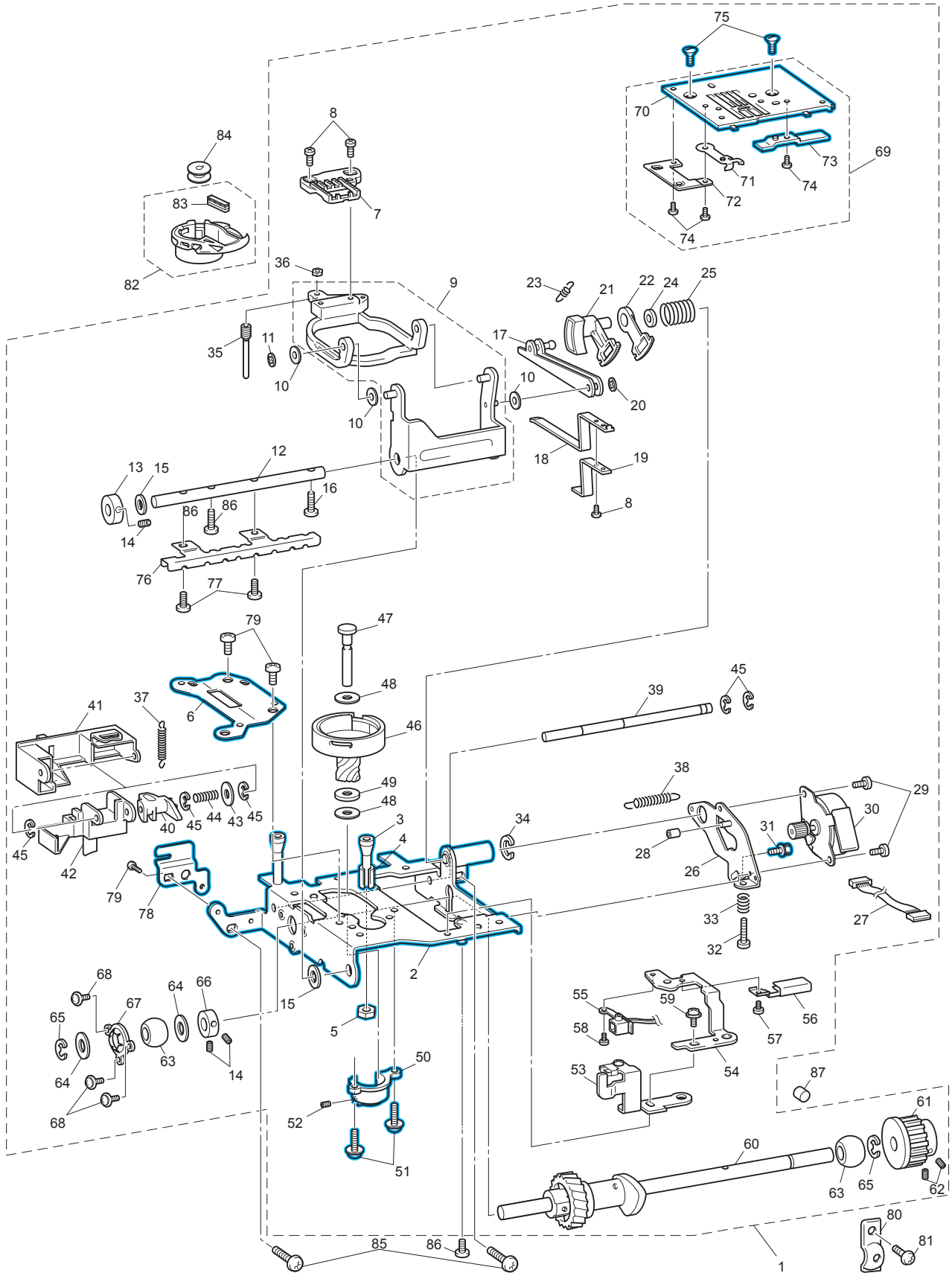


(3)-1 FEED UNIT (New type)

| No. | CODE | NAME | R/H | REMARKS | No. | CODE | NAME | R/H | REMARKS |
|-----|-----------|------------------------------|-----|------------|-----|-----------|--------------------------------|-----|------------|
| 1 | XF5532101 | FEED UNIT SUPPLY ASSY CCN | | 1000042713 | 45 | 137805022 | SPACER | | |
| 2 | XE6467201 | BASE PLATE ASSY | | 1000033187 | 46 | 137976021 | WASHER 6 | | |
| 3 | XE5656001 | FEED ARM SUPPORTER | | 1000033187 | 47 | XZ5092001 | SHAFT SUPPORTER | | 1000033187 |
| 4 | XE7489001 | FEED DOG | | | 48 | 0A4400806 | SCREW PAN (S/P WASHER) M4X8 | | 1000033187 |
| 5 | 060300616 | SCREW BIND M3X6 | | | 49 | 014400632 | SET SCREW SOCKET (CP) M4X6 | | 1000033187 |
| 6 | XE2015201 | FEED BAR ASSY | | | 50 | XE3650101 | INNER ROTARY HOOK BRACKET ASSY | | |
| 7 | 137999020 | POLYESTER SLIDER | | | 51 | XE2998001 | PHOTO DIODE SUPPORTER | | |
| 8 | 146200021 | RETAINING RING, CS4 | | | 52 | XE2999001 | PHOTO DIODE HOLDER ASSY | | |
| 9 | XE2995001 | HORIZONTAL FEED SHAFT | | | 53 | XC7866351 | CORD HOLDER | | |
| 10 | 130676121 | SET SCREW COLLAR | | | 54 | 060260316 | SCREW BIND M2.6X3 | | |
| 11 | 014400432 | SET SCREW SOCKET (CP) M4X4 | | | 55 | 000020416 | SCREW BIND M2X4 | | |
| 12 | X50546020 | WASHER, THRUST | | | 56 | 0A5300806 | SCREW PAN (S/P WASHER) M3X8 | | |
| 13 | 060301206 | SCREW BIND M3X12 | | | 57 | XE3002001 | LOWER SHAFT ASSY | | |
| 14 | XC4924021 | FEED ARM ASSY | | | 58 | XC4943021 | TIMING PULLEY D | | |
| 15 | XC4927021 | FEED SUPPORTING PLATE | | | 59 | 014500532 | SET SCREW SOCKET (CP) M5X5 | | |
| 16 | XC4928120 | FEED SUPPORTING PLATE B | | | 60 | X52664020 | LOWER SHAFT BUSHING | | |
| 17 | X56655021 | RETAINING RING: CSTW-3.5 | | | 61 | X51383020 | WASHER, THRUST | | |
| 18 | XC2527121 | FEED ADJUSTER | | | 62 | 048060343 | RETAINING RING E6 | | 1000038911 |
| 19 | XC2529020 | F GEAR | | | 63 | XC8798021 | SET COLLAR | | |
| 20 | XC2530021 | SPRING | | | 64 | XC4944021 | BUSHING PRESSER B | | |
| 21 | 137713020 | POLYESTER SLIDER | | | 65 | 085310615 | TAPTITE BIND B M3X6 | | |
| 22 | XC2531021 | SPRING | | | 66 | XF4998001 | NEEDLE PLATE A ASSY | H | 1000033187 |
| 23 | XC8791121 | FPM HOLDER SUB ASSY | | 1000038228 | 67 | XE6469001 | NEEDLE PLATE A | | |
| 24 | XE3173001 | LEAD WIRE ASSY FPM-CCOM | | | 68 | XF2440001 | STOPPER PLATE | | 1000029417 |
| 25 | XC8773020 | RUBBER | | | 69 | XE1488001 | NEEDLE PLATE B SUPPORT PLATE | | |
| 26 | 060300416 | SCREW BIND M3X4 | | | 70 | XE6471001 | F GEAR STOPPER PLATE | | |
| 27 | XE3637001 | FPM INSULATION ASSY CCOM | | | 71 | 060260316 | SCREW BIND M2.6X3 | | |
| 28 | XE6639001 | SCREW3X8 | | 1000033187 | 72 | XE6473001 | SCREW NEEDLE PLATE | H | 1000033187 |
| 29 | 018402533 | BOLT SOCKET M4X25 | | | 73 | XE3004001 | LEAD WIRE GUIDE HOLDER | | |
| 30 | XC2537021 | SPRING | | | 74 | 060300416 | SCREW BIND M3X4 | | |
| 31 | XC9924021 | RETAINING RING 10 | | | 75 | XF5447001 | THREAD CUTTER MODULE SUPPORTER | | 1000033187 |
| 32 | XC3941021 | VERTICAL ADJUSTER SCREW ASSY | | | 76 | 060400516 | SCREW BIND M4X5 | | 1000033187 |
| 33 | XC2546121 | M5 NUT | | 1000042713 | 77 | 132421021 | BUSHING PRESSER | | |
| 34 | XE1940001 | SPRING | | | 78 | X57908021 | TAPTITE, BIND S M4X10 | | |
| 35 | XE1478101 | SPRING | | 1000025521 | 79 | XE7560001 | INNER ROTARY HOOK ASSY | H | |
| 36 | XC8794021 | VERTICAL FEED SHAFT | | | 80 | XC3137000 | PILE | | |
| 37 | XC2551020 | VERTICAL LEVER | | | 81 | X52800120 | BOBBIN | | |
| 38 | XE1479101 | DROP KNOB | | 1000032151 | 82 | XE1489001 | STUD SCREW M4 | | |
| 39 | XE2996001 | DROP LEVER | | | 83 | 060301206 | SCREW BIND M3X12 | | |
| 40 | 025040332 | WASHER PLAIN L 4 | | | 84 | XC3183051 | FELT | | |
| 41 | XC2550021 | SPRING | | | 85 | XE6472001 | NEEDLE PLATE HOLDER | | |
| 42 | 048030343 | RETAINING RING E3 | | 1000038911 | | | | | |
| 43 | XC4141121 | OUTER ROTARY HOOK ASSY | H | | | | | | |
| 44 | XE1480001 | OUTER ROTARY HOOK SHAFT | | | | | | | |

(3)-2 FEED UNIT (Old type)

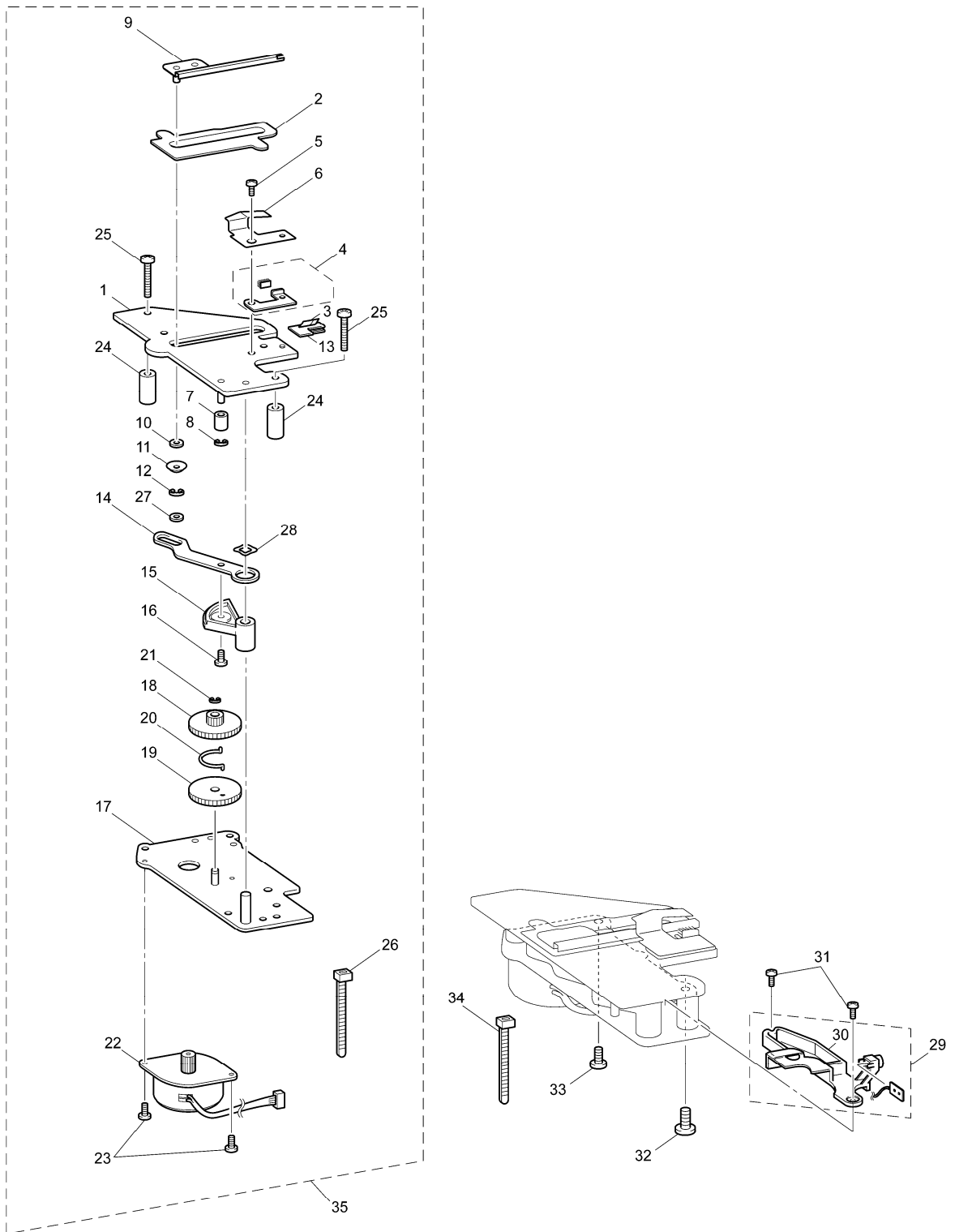
*There are two types (new type / old type) of the feed unit and the using parts are different. When ordering parts, check the shape of the parts indicated in blue to order appropriate ones.



(3)-2 FEED UNIT (Old type)

| No. | CODE | NAME | R/H | REMARKS | No. | CODE | NAME | R/H | REMARKS |
|-----|-----------|--------------------------------|-----|------------|-----|-----------|--------------------------------|-----|------------|
| 1 | XE4814301 | FEED UNIT SUPPLY ASSY CC | | 1000042713 | 45 | 048030343 | RETAINING RING E3 | | 1000038911 |
| 2 | XE1475101 | BASE PLATE ASSY | | | 46 | XC4141121 | OUTER ROTARY HOOK ASSY | | |
| 3 | XC8782021 | NEEDLE PLATE SUPPORTER SHAFT B | | | 47 | XE1480001 | OUTER ROTARY HOOK SHAFT | | |
| 4 | XC8783020 | FEED ARM SUPPORTER | | | 48 | 137805022 | SPACER | | |
| 5 | 021300106 | NUT 1 M3 | | | 49 | 137976021 | WASHER 6 | | |
| 6 | XE2994001 | THREAD CUTTER MODULE SUPPORTER | | | 50 | XE1481001 | SHAFT SUPPORTER | | |
| 7 | XE7489001 | FEED DOG | H | | 51 | 138172021 | SCREW, PAN (S/P WASHER) M4X10 | | |
| 8 | 060300616 | SCREW BIND M3X6 | | | 52 | 014400632 | SET SCREW SOCKET (CP) M4X6 | | |
| 9 | XE2015201 | FEED BAR ASSY | | | 53 | XE3650101 | INNER ROTARY HOOK BRACKET ASSY | | |
| 10 | 137999020 | POLYESTER SLIDER | | | 54 | XE2998001 | PHOTO DIODE SUPPORTER | | |
| 11 | 146200021 | RETAINING RING, CS4 | | | 55 | XE2999001 | PHOTO DIODE HOLDER ASSY | | |
| 12 | XE2995001 | HORIZONTAL FEED SHAFT | | | 56 | XC7866351 | CORD HOLDER | | |
| 13 | 130676121 | SET SCREW COLLAR | | | 57 | 060260316 | SCREW BIND M2.6X3 | | |
| 14 | 014400432 | SET SCREW SOCKET (CP) M4X4 | | | 58 | 000020416 | SCREW BIND M2X4 | | |
| 15 | X50546020 | WASHER, THRUST | | | 59 | 0A5300806 | SCREW PAN (S/P WASHER) M3X8 | | |
| 16 | 060301206 | SCREW BIND M3X12 | | | 60 | XE3002001 | LOWER SHAFT ASSY | | |
| 17 | XC4924021 | FEED ARM ASSY | | | 61 | XC4943021 | TIMING PULLEY D | | |
| 18 | XC4927121 | FEED SUPPORTING PLATE | | | 62 | 014500532 | SET SCREW SOCKET (CP) M5X5 | | |
| 19 | XC4928120 | FEED SUPPORTING PLATE B | | | 63 | X52664020 | LOWER SHAFT BUSHING | | |
| 20 | X56655021 | RETAINING RING: CSTW-3.5 | | | 64 | X51383020 | WASHER, THRUST | | |
| 21 | XC2527121 | FEED ADJUSTER | | | 65 | 048060343 | RETAINING RING E6 | | 1000038911 |
| 22 | XC2529020 | F GEAR | | | 66 | XC8798021 | SET COLLAR | | |
| 23 | XC2530021 | SPRING | | | 67 | XC4944021 | BUSHING PRESSER B | | |
| 24 | 137713020 | POLYESTER SLIDER | | | 68 | 085310615 | TAPTITE BIND B M3X6 | | |
| 25 | XC2531021 | SPRING | | | 69 | XE1827201 | NEEDLE PLATE A ASSY | H | 1000029417 |
| 26 | XC8791121 | FPM HOLDER SUB ASSY | | 1000038228 | 70 | XE1828201 | NEEDLE PLATE A | | |
| 27 | XE3173001 | LEAD WIRE ASSY FPM-CCOM | | | 71 | XF2440001 | STOPPER PLATE | | 1000029417 |
| 28 | XC8773020 | RUBBER | | | 72 | XE1488001 | NEEDLE PLATE B SUPPORT PLATE | | |
| 29 | 060300416 | SCREW BIND M3X4 | | | 73 | XE8544001 | F GEAR STOPPER PLATE | | |
| 30 | XE3637001 | FPM INSULATION ASSY CCOM | | | 74 | 060260316 | SCREW BIND M2.6X3 | | |
| 31 | XC3338021 | SCREW3X8 | | | 75 | X50487021 | SCREW M4 | H | |
| 32 | 018402533 | BOLT SOCKET M4X25 | | | 76 | XE3004001 | LEAD WIRE GUIDE HOLDER | | |
| 33 | XC2537021 | SPRING | | | 77 | 060300416 | SCREW BIND M3X4 | | |
| 34 | XC9924021 | RETAINING RING 10 | | | 78 | XE3005001 | THREAD CUTTER MODULE SUPPORTER | | |
| 35 | XC3941021 | VERTICAL ADJUSTER SCREW ASSY | | | 79 | 060400516 | SCREW BIND M4X5 | | |
| 36 | XC2546121 | M5 NUT | | 1000042713 | 80 | 132421021 | BUSHING PRESSER | | |
| 37 | XE1940001 | SPRING | | | 81 | X57908021 | TAPTITE, BIND S M4X10 | | |
| 38 | XE1478101 | SPRING | | 1000025521 | 82 | XE7560001 | INNER ROTARY HOOK ASSY | H | |
| 39 | XC8794021 | VERTICAL FEED SHAFT | | | 83 | XC3137000 | PILE | | |
| 40 | XC2551020 | VERTICAL LEVER | | | 84 | X52800120 | BOBBIN | | |
| 41 | XE1479101 | DROP KNOB | | 1000032151 | 85 | XE1489001 | STUD SCREW M4 | | |
| 42 | XE2996001 | DROP LEVER | | | 86 | 060301206 | SCREW BIND M3X12 | | |
| 43 | 025040332 | WASHER PLAIN L 4 | | | 87 | XC3183051 | FELT | | |
| 44 | XC2550021 | SPRING | | | | | | | |

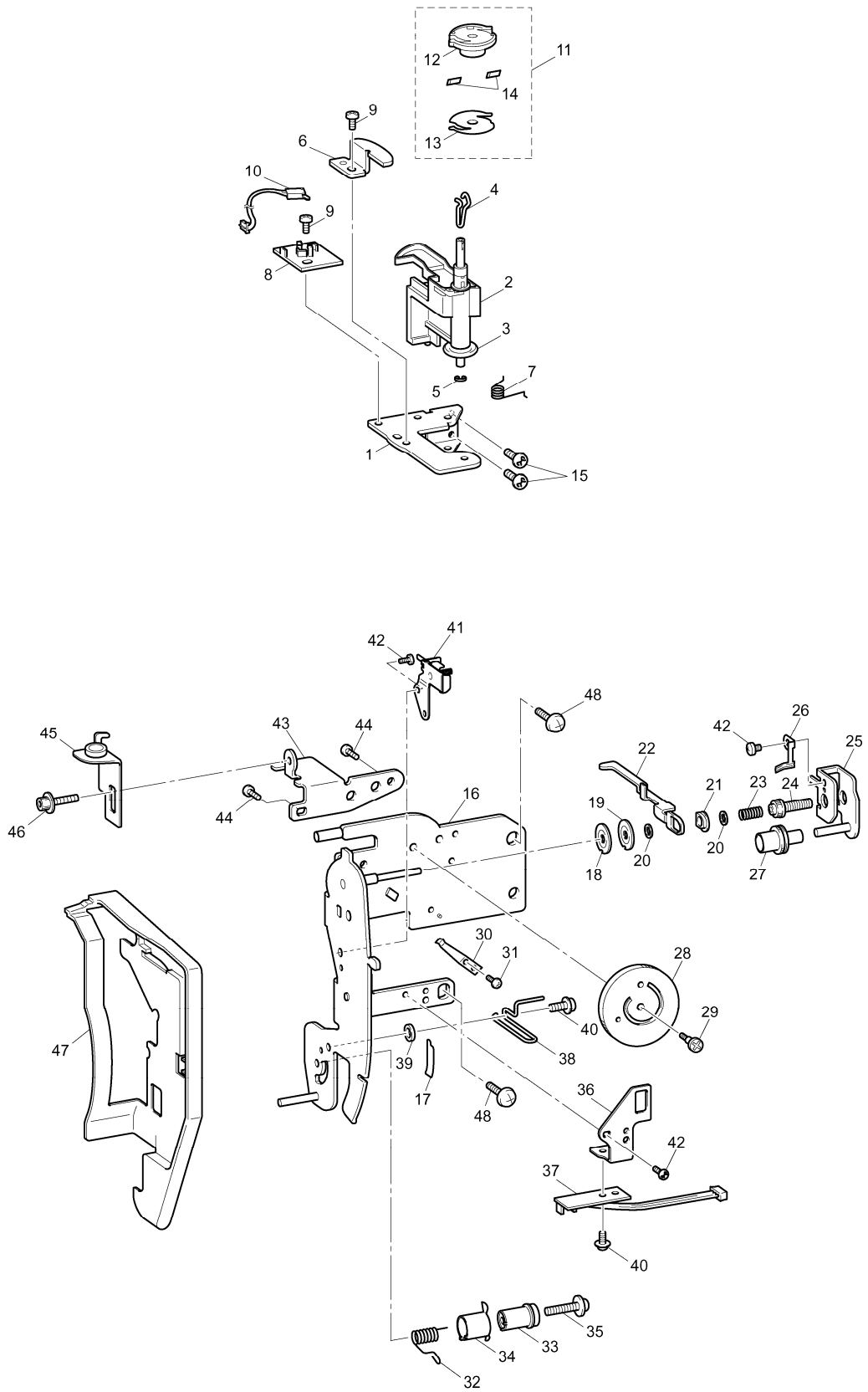
(4) THREAD CUTTING UNIT



(4) THREAD CUTTING UNIT

| No. | CODE | NAME | R/H | REMARKS |
|-----|-----------|-----------------------------|-----|------------|
| 1 | XC9733051 | THREAD CUTTER FRAME ASSY | | |
| 2 | XC9735050 | SPACER | | |
| 3 | X80321021 | NT LOWER THREAD CUTTER | H | |
| 4 | XE4994001 | PRESSER PLATE ASSY | H | |
| 5 | 060300516 | SCREW BIND M3X5 | | |
| 6 | XC2598120 | SPRING PLATE | H | |
| 7 | XC2587020 | RUBBER | | |
| 8 | 048030343 | RETAINING RING E3 | | 1000038911 |
| 9 | XC2583121 | THREAD HOOK ASSY | | |
| 10 | 137713020 | POLYESTER SLIDER | | |
| 11 | X56731020 | WASHER | | |
| 12 | 048040343 | RETAINING RING E4 | | 1000038911 |
| 13 | XC9736050 | CUTTER HOLDER | | |
| 14 | XC2581221 | THREAD CUTTER LEVER | | |
| 15 | XC2582020 | THREAD CUTTER LEVER GEAR | | |
| 16 | 0A4300605 | SCREW PAN (S/P WASHER) M3X6 | | |
| 17 | XC2588321 | MOTOR HOLDER ASSY | | |
| 18 | XC2592020 | IDLE GEAR A | | |
| 19 | XC2593020 | IDLE GEAR B | | |
| 20 | X56323021 | SPRING | | |
| 21 | 048020343 | RETAINING RING E2 | | 1000038911 |
| 22 | XF7723001 | C PULSE MOTOR SMJ35-4840-BP | | 1000040101 |
| 23 | 060300416 | SCREW BIND M3X4 | | |
| 24 | XC2594121 | COLLAR | | |
| 25 | 060402016 | SCREW BIND M4X20 | | |
| 26 | X53169020 | BAND | | |
| 27 | 137713020 | POLYESTER SLIDER | | |
| 28 | XC8407020 | WAVE-SHAPE SPRING WASHER | | |
| 29 | XE3186001 | PHOTO TRANSISTOR ASSY | | |
| 30 | XC9199051 | SENSOR HOLDER | | |
| 31 | 0A4300605 | SCREW PAN (S/P WASHER) M3X6 | | |
| 32 | 060400516 | SCREW BIND M4X5 | | |
| 33 | 060300516 | SCREW BIND M3X5 | | |
| 34 | X53169020 | BAND | | |
| | | | | |
| 35 | XD0075351 | THREAD CUTTER SUPPLY ASSY | | |
| | | | | |
| | | | | |
| | | | | |
| | | | | |
| | | | | |
| | | | | |
| | | | | |

(5) BOBBIN WINDING / NEEDLE THREADING MECHANISM

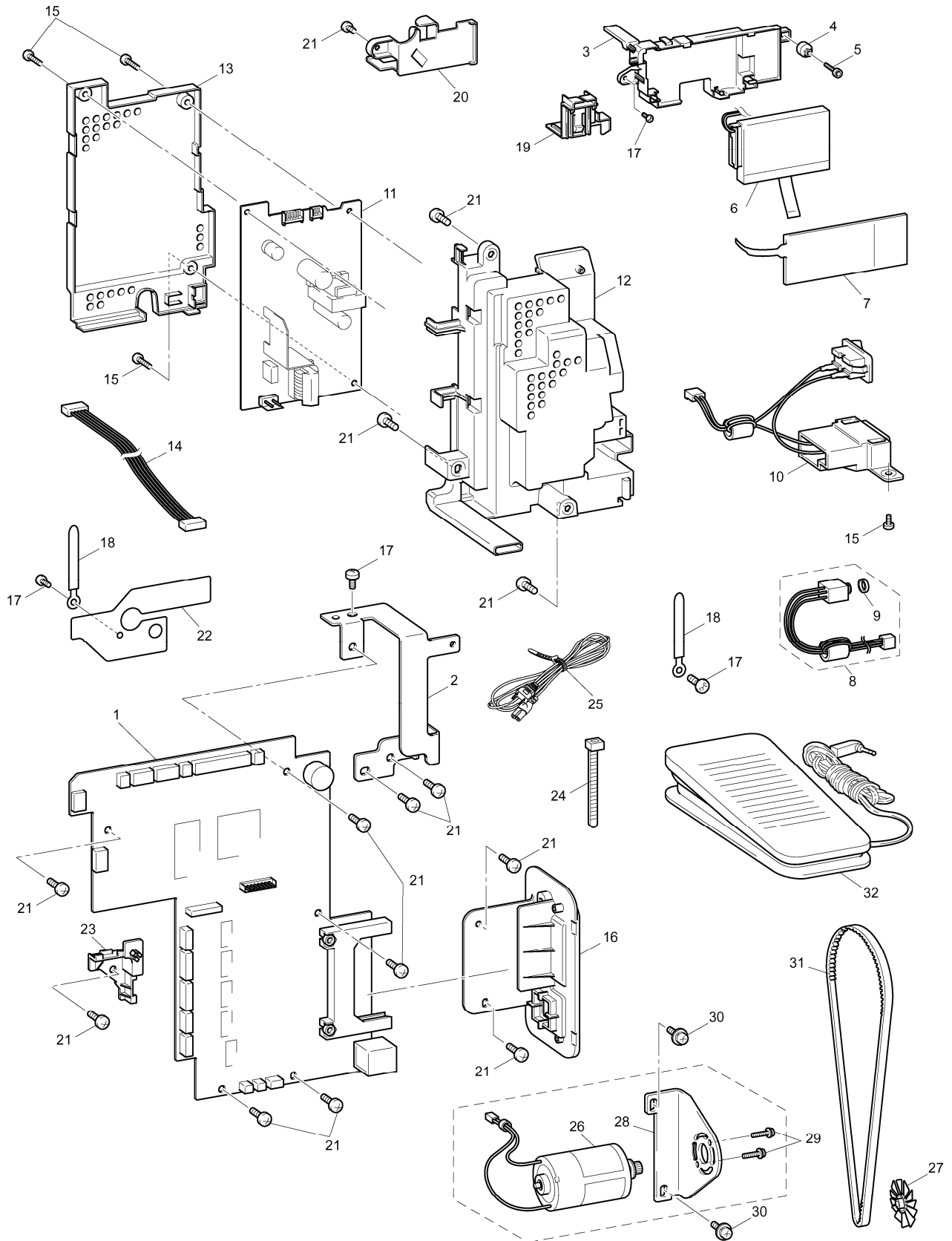


(5) BOBBIN WINDING / NEEDLE THREADING MECHANISM

| No. | CODE | NAME | R/H | REMARKS |
|--------------------------|-----------|-------------------------------|-----|------------|
| BOBBIN WINDING MECHANISM | | | | |
| 1 | XE3008001 | BOBBIN WINDER ASSEMBLY HOLDER | | |
| 2 | XE1495001 | BW SHAFT HOLDER ASSEMBLY | | |
| 3 | X55238021 | RUBBER RING | | |
| 4 | XZ5039001 | BOBBIN WINDER SHAFT SPRING | | |
| 5 | 048050343 | RETAINING RING E5 | | 1000038911 |
| 6 | XA2862021 | BOBBIN WINDER SHAFT STOPPER | | |
| 7 | XZ0070021 | BOBBIN WINDER SPRING | | |
| 8 | XC2614021 | SW ADJUST PLATE | | |
| 9 | 060300616 | SCREW BIND M3X6 | | |
| 10 | XC2612051 | SW ASSY: BW-F | | |
| 11 | XC4672051 | BOBBIN BASE ASSY | H | |
| 12 | XC2616051 | BOBBIN BASE | | 1000034911 |
| 13 | XA5877021 | BOBBIN THREAD CUTTER HOLDER | | |
| 14 | X80321021 | NT LOWER THREAD CUTTER | H | |
| 15 | X57908021 | TAPTITE, BIND S M4X10 | | |
| | | | | |
| | | | | |
| | | | | |
| | | | | |
| | | | | |
| | | | | |
| | | | | |
| | | | | |
| | | | | |
| | | | | |
| | | | | |
| | | | | |
| | | | | |
| | | | | |
| | | | | |
| | | | | |
| | | | | |
| | | | | |
| | | | | |
| | | | | |
| | | | | |
| | | | | |

| No. | CODE | NAME | R/H | REMARKS |
|----------------------------|-----------|--------------------------------|-----|------------|
| NEEDLE THREADING MECHANISM | | | | |
| 16 | XE3011001 | THREAD GUARD ASSEMBLY | | |
| 17 | XA9935050 | SPRING TAPE | | |
| 18 | XA0083121 | TENSION DISC A | H | |
| 19 | XA0084121 | TENSION DISC B | H | |
| 20 | XD0573021 | WASHER | | |
| 21 | XA1388021 | TENSION DISC WASHER | | |
| 22 | XE1506001 | THREAD RELEASE PLATE | | |
| 23 | XE3014001 | SPRING | | |
| 24 | XE3015001 | THREAD TENSION ADJUSTING SCREW | | |
| 25 | XE3016001 | THREAD TENSION PLATE ASSY | | |
| 26 | XE3019001 | ADJUSTING SCREW SPRING PLATE | | |
| 27 | XE3020101 | THREAD TENSION ADJUSTING GEAR | | 1000033516 |
| 28 | XE3201001 | THREAD TENSION DIAL | | |
| 29 | XC9234021 | TENSION DIAL SHAFT | | |
| 30 | X56839021 | NOTCHED SPRING | | 1000043008 |
| 31 | 062300416 | SCREW PAN M3X4 | | |
| 32 | XC6957121 | THREAD TAKE UP SPRING | H | |
| 33 | XD0377151 | THREAD CATCHING SPRING CASE FE | H | |
| 34 | XE5731001 | THREAD CUTTING SHUTTER | H | |
| 35 | 0A4301806 | SCREW, PAN (S/P WASHE) M3X18 | | |
| 36 | XE3021001 | THREAD SENSOR HOLDER | | |
| 37 | XE3022001 | UPTHREAD PCB ASSY CCOM | | |
| 38 | XD0383050 | THREAD GUIDE WIRE FE | H | |
| 39 | XA9996051 | WASHER, PLAIN | | |
| 40 | XC7564021 | SCREW, PAN (S/P WASHER) M3X6 | | |
| 41 | XE3025001 | PLATE ASSEMBLY | | |
| 42 | 060300416 | SCREW BIND M3X4 | | |
| 43 | XE3028001 | THREAD GUARD HOLDER S | | |
| 44 | 060300416 | SCREW BIND M3X4 | | |
| 45 | XE1519101 | BOBBIN WINDER GUIDE ASSY | | |
| 46 | XC3037021 | SCREW3X10 | | |
| 47 | XE3029001 | THREAD GUARD COVER | H | |
| 48 | XE1489001 | STUD SCREW M4 | | |
| | | | | |
| | | | | |
| | | | | |
| | | | | |
| | | | | |
| | | | | |
| | | | | |
| | | | | |
| | | | | |
| | | | | |
| | | | | |
| | | | | |
| | | | | |
| | | | | |
| | | | | |
| | | | | |
| | | | | |
| | | | | |
| | | | | |
| | | | | |
| | | | | |
| | | | | |
| | | | | |

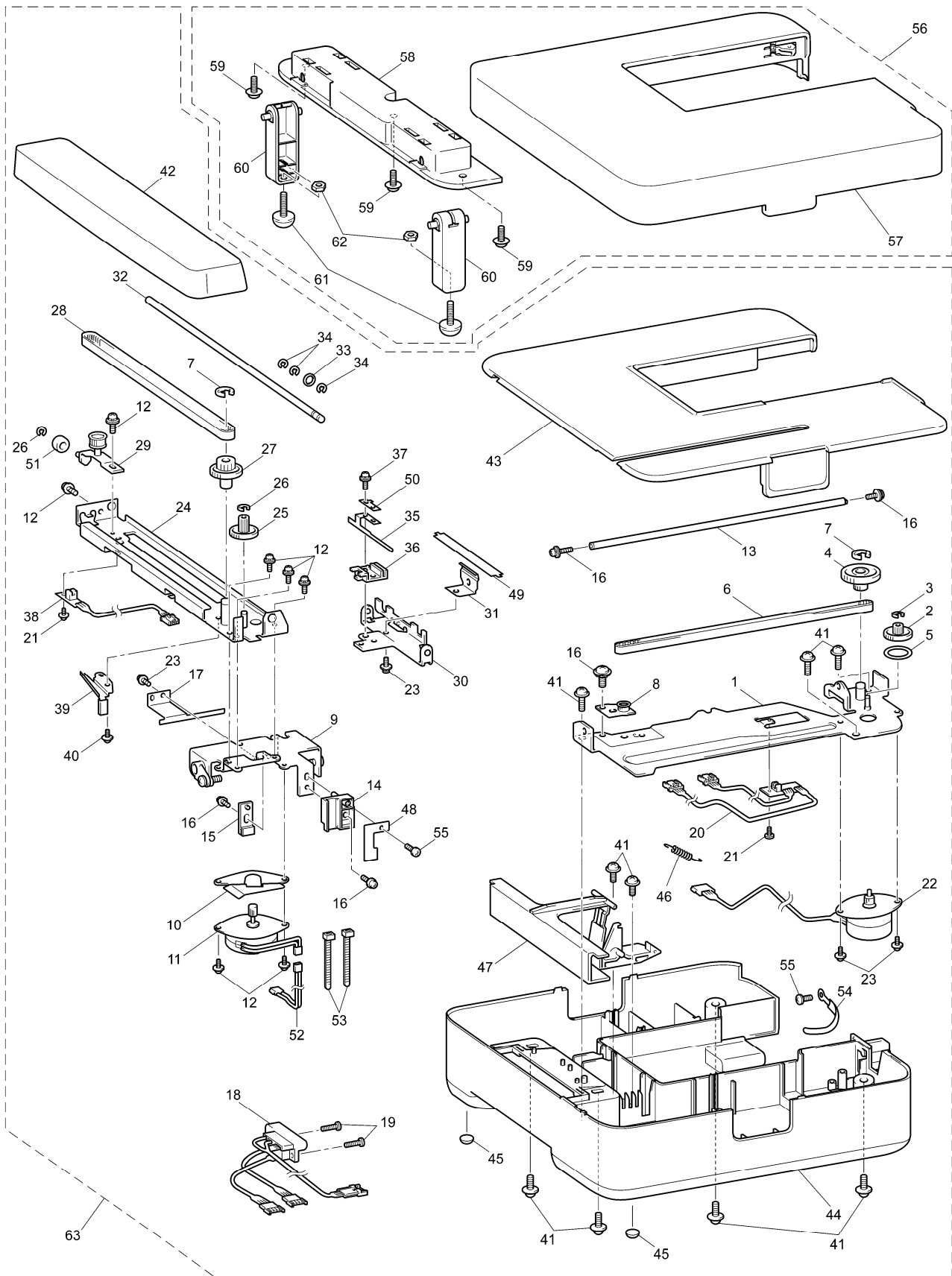
(6) ELECTRIC PARTS / MAIN MOTOR UNIT



(6) ELECTRIC PARTS / MAIN MOTOR UNIT

| No. | CODE | NAME | R/H | REMARKS | No. | CODE | NAME | R/H | REMARKS |
|----------------|-----------|--|-----|------------|-----------------|-----------|-----------------------------|-------------------------------|------------|
| ELECTRIC PARTS | | | | | MAIN MOTOR UNIT | | | | |
| 1 | XE4281201 | MAIN PCB SUPPLY ASSY-Y | R | 1000026033 | 26 | XE9044101 | MAIN MOTOR SUB ASSY: CCOM-2 | H | 1000037327 |
| 2 | XE3032001 | LCD SUPPORTER | | | 27 | XC3803120 | MOTOR FAN | H | 1000033777 |
| 3 | XE3033001 | LIGHT PLATE ASSY | | | 28 | XE3046001 | MOTOR HOLDER | | |
| 4 | XC2435020 | ZIGZAG ADJUSTING NUT | | | 29 | 0A5300806 | SCREW PAN (S/P WASHER) M3X8 | | |
| 5 | 018301232 | BOLT SOCKET M3X12 | | | 30 | XA8474021 | UPSET 4X12 DB | | |
| 6 | XD0830151 | LCD SUPPLY ASSY (~D1G*****) | R | 1000028578 | 31 | XC2685051 | T BELT494-2GT-6 | H | |
| | XF2349001 | LCD SUPPLY ASSY (E1G*****~) | R | 1000028578 | | 32 | XC8816071 | FOOT CONTROLLER: FC-322-81-LF | |
| 7 | XE3901002 | TOUCH PANEL ASSY | R | | | | XD0501121 | FOOT CONTROLLER: FC-322-LF-EU | |
| 8 | XE3653001 | FC JACK SUPPLY ASSY: CCOM | | | | | | | |
| 9 | XE7829001 | NUT N | | 1000026582 | | | | | |
| 10 | XE4205001 | INLET ASSY: CCOM EU | R | | | | | | |
| 11 | XE4293001 | POWER PCB SUPPLY ASSY 230: CCOM | R | | | | | | |
| 12 | XE3039101 | INSULATION COVER | | | | | | | |
| 13 | XE3040101 | INSULATION PLATE | | | | | | | |
| 14 | XE3041001 | POWER LEAD WIRE ASSY: CCOM | | | | | | | |
| 15 | 085311016 | TAPTITE BIND B M3X10 | | 1000024772 | | | | | |
| 16 | XE3042001 | CARD CONNECT COVER | | | | | | | |
| 17 | 060400516 | SCREW BIND M4X5 | | | | | | | |
| 18 | XA0286051 | WIRE CLIP | | 1000042697 | | | | | |
| 19 | XE3043001 | CORD GUIDE | | | | | | | |
| 20 | XE3044001 | CORD GUIDE A | | | | | | | |
| 21 | 060400816 | SCREW BIND M4X8 | | | | | | | |
| 22 | XE3318001 | INSULATE SHEET CCOM BACK | | | | | | | |
| 23 | XE3045001 | SUPPORTER MAIN PWB | | | | | | | |
| 24 | X53169020 | BAND | | | | | | | |
| 25 | X59354221 | POWER SUPPLY CORD BS (IRE, UK, HKG) | H | 1000035202 | | | | | |
| | XE2016001 | POWER SUPPLY CORD KOR (KOR) | H | | | | | | |
| | XC9548021 | POWER SUPPLY CORD: SAA-LF (AUS&NZL) | H | | | | | | |
| | XA0070121 | POWER SUPPLY CORD (OTHER) | H | | | | | | |
| | | | | | | | | | |
| | | | | | | | | | |
| | | | | | | | | | |
| | | | | | | | | | |
| | | | | | | | | | |
| | | | | | | | | | |
| | | | | | | | | | |
| | | | | | | | | | |
| | | | | | | | | | |
| | | | | | | | | | |

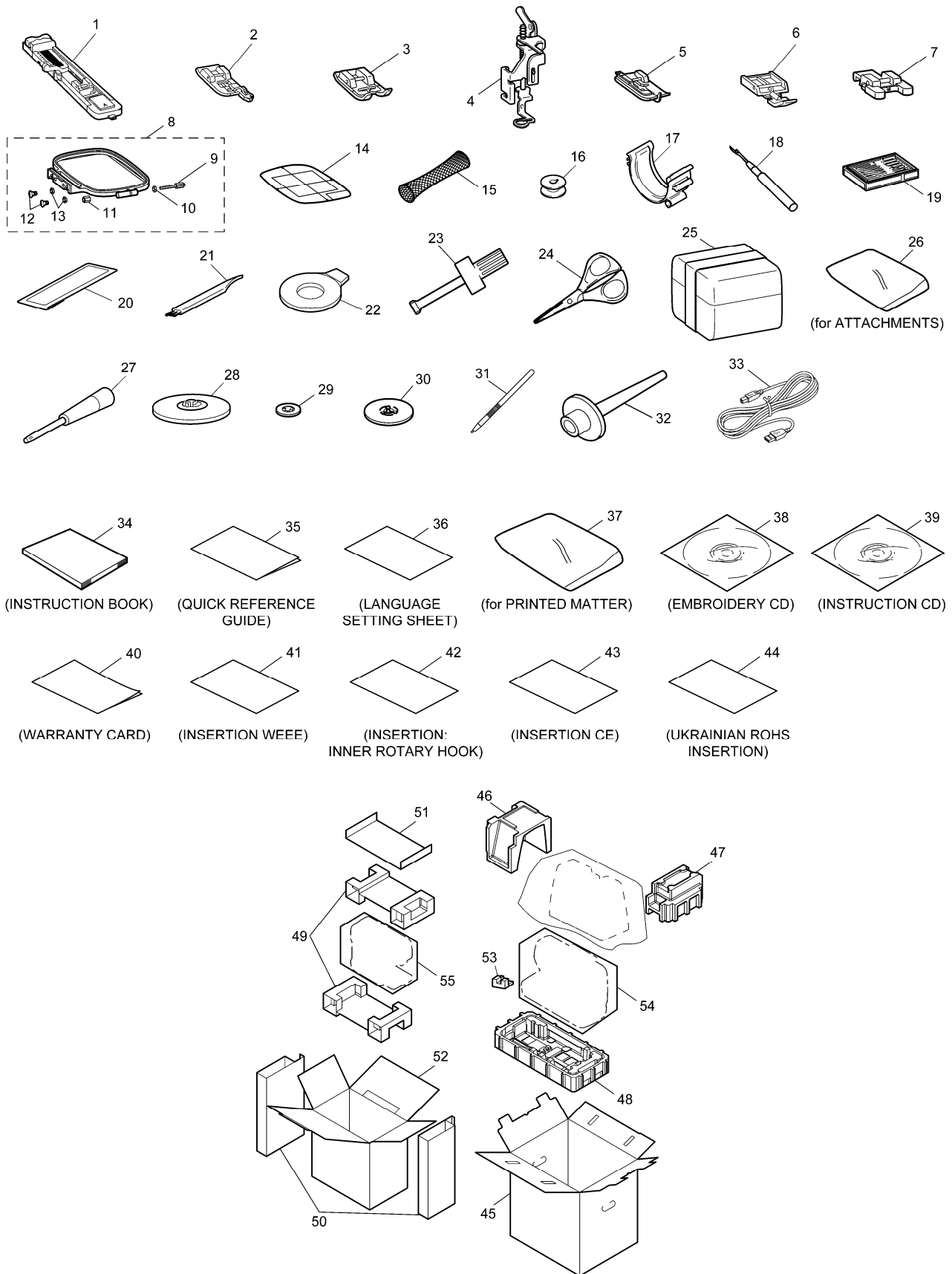
(7) EMBROIDERY UNIT



(7) EMBROIDERY UNIT

| No. | CODE | NAME | R/H | REMARKS | No. | CODE | NAME | R/H | REMARKS |
|-----|-----------|------------------------------|-----|------------|-----|-----------|---------------------------------------|-----|------------|
| 1 | XC3807021 | MAIN FRAME ASSEMBLY | | | 45 | X59853020 | RUBBER CUSHION | | |
| 2 | XC4153020 | X GEAR | | | 46 | XA1899021 | SPRING | | |
| 3 | 048030343 | RETAINING RING E3 | | 1000038911 | 47 | XC3824121 | HANDLE | | |
| 4 | XC4154020 | X DRIVING GEAR | | | 48 | XA5352020 | CORD PRESSER | | |
| 5 | X53330020 | WASHER | | | 49 | XA6281020 | Y PRESSER PLATE | | |
| 6 | X58715021 | T BELT 40S2M400 | H | | 50 | XA6334020 | SHUTTER PRESSER PLATE | | |
| 7 | 048060343 | RETAINING RING E6 | | 1000038911 | 51 | XA6152021 | ROLLER ASSY | | |
| 8 | XA5308021 | X TENSION PULLEY ASSY | | | 52 | XC5001021 | LEAD WIRE ASSY, YPM | | |
| 9 | XC3809021 | X CARRIAGE GUIDE PLATE ASSY | | | 53 | X53169020 | BAND | | |
| 10 | XA5314020 | CORD GUIDE | | | 54 | X52318021 | COACHING CLIP CS-2 | | |
| 11 | XC3811021 | MOTOR, PULSE: Y SMJ35-4823-C | | | 55 | 085310815 | TAPTITE BIND P M3X8 | | |
| 12 | XC7564021 | SCREW, PAN (S/P WASHER) M3X6 | | | 56 | XE3053001 | ES TOP COVER ASSY | | |
| 13 | XA5316021 | X GUIDE SHAFT | | | 57 | XE3375001 | ES TOP COVER | | |
| 14 | XA5317120 | X SLIDER | | | 58 | XE3058001 | ES FOOT COVER | | |
| 15 | XA5318120 | X BELT PRESSER | | | 59 | 087411416 | TAPTITE CUP B M4X14 | | |
| 16 | 0A4400806 | SCREW PAN (S/P WASHER) M4X8 | | | 60 | XE3059001 | ES FOOT | | |
| 17 | XC5350020 | X SHUTTER | | | 61 | XD1223021 | ADJUSTING FOOT | | |
| 18 | XE3182001 | LEAD WIRE ASSY: EMB UNIT | | | 62 | 021400206 | NUT 2 M4 | | |
| 19 | 085301616 | TAPTITE BIND P M3X16 | | | | | | | |
| 20 | XE3176001 | XSENS PCB ASSY: CCOM | | | 63 | XE7628101 | EMBROIDERY SUPPLY ASSY EU (EUROPE) | | 1000025686 |
| 21 | 000020416 | SCREW BIND M2X4 | | | | XE7511001 | EMBROIDERY SUPPLY ASSY (OTHER) | | |
| 22 | XC3815021 | MOTOR, PULSE: X SMJ40-4888-A | | | | | | | |
| 23 | 0A4300506 | SCREW, PAN (S/P WASHER) M3X5 | | | | | | | |
| 24 | XA5324221 | X CARRIAGE ASSY | | | | | | | |
| 25 | XC4155020 | Y GEAR | | | | | | | |
| 26 | 048020343 | RETAINING RING E2 | | 1000038911 | | | | | |
| 27 | XC4156120 | Y DRIVING GEAR | | | | | | | |
| 28 | XA5330021 | T BELT 40S2M316 | H | | | | | | |
| 29 | XA6151021 | Y TENSION PULLEY ASSY | | | | | | | |
| 30 | XA5338121 | Y CARRIAGE | | | | | | | |
| 31 | XC5287121 | NOTCHED SPRING | | | | | | | |
| 32 | XA5340121 | Y GUIDE SHAFT | | | | | | | |
| 33 | 103810022 | WASHER, WAVE SPRING | | | | | | | |
| 34 | 048040343 | RETAINING RING E4 | | 1000038911 | | | | | |
| 35 | XA5341120 | Y SHUTTER | | | | | | | |
| 36 | XA5342120 | Y SLIDER | | | | | | | |
| 37 | XA8390021 | SCREW | | | | | | | |
| 38 | XE3178001 | YSENS PCB ASSY: CCOM | | | | | | | |
| 39 | XA5346020 | CORD HOLDER | | | | | | | |
| 40 | 060300416 | SCREW BIND M3X4 | | | | | | | |
| 41 | 087411416 | TAPTITE CUP B M4X14 | | | | | | | |
| 42 | XC2133025 | CARRIAGE COVER | R | | | | | | |
| 43 | XE3398001 | ES COVER U | R | | | | | | |
| 44 | XE3052001 | ES COVER D | R | | | | | | |

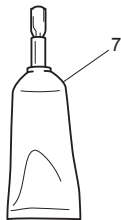
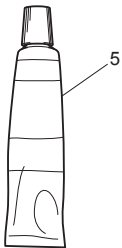
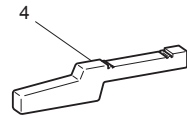
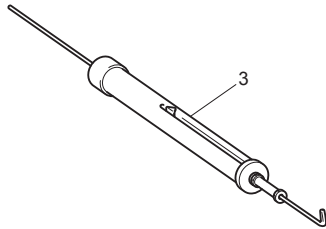
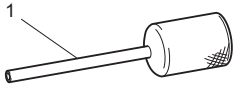
(8) ACCESSORY PARTS / USER MANUAL / PACKAGE



(8) ACCESSORY PARTS / USER MANUAL / PACKAGE

| No. | CODE | NAME | R/H | REMARKS | No. | CODE | NAME | R/H | REMARKS |
|-----------------|-----------|--------------------------------|-----|------------|---------|-----------|--|-----|------------|
| ACCESSORY PARTS | | | | | | | | | |
| 1 | XC2691023 | BH PRESSER FOOT ASSY | | | 35 | XE4530001 | QUICK REFERENCE GUIDE (EEU, RUS, NEU) | R | |
| 2 | XC3098031 | OVERCASTING STITCH FOOT ASSY | | 1000040722 | | XE5299001 | QUICK REFERENCE GUIDE KOR (KOR) | R | |
| 3 | XD0810031 | TRANSPARENCY PRESSER FOOT | | | | XE3849001 | QUICK REFERENCE GUIDE ENG (EXCEPT RUS, KOR) | R | |
| 4 | XD0474151 | EMBROIDERY PRESSER ASSEMBLY | | | 36 | XE4199001 | LANGUAGE SETTING SHEET (IRE, DEU, UK, BEL&FRA, ESP, ITA, CHE, EEU, RUS, NEU) | | |
| 5 | XE2650001 | BLIND STITCH FOOT ASSY | | 1000036866 | 37 | 130800021 | BAG 230X310H | | |
| 6 | X59370021 | ZIPPER FOOT | | | 38 | XE3851001 | EMBROIDERY CD | | |
| 7 | XE2137001 | BUTTON SEWING FOOT | | | 39 | XE4529001 | INSTRUCTION CD (NEU) | | |
| 8 | XA5353102 | EMBROIDERY FRAME S2M | | | 40 | XE9699001 | WARRANTY CARD EU (IRE, DEU, UK, BEL&FRA, ESP, ITA, CHE, EEU, NEU) | | |
| 9 | XE4590001 | THUMB SCREW | | | | XE3332001 | MASS WARRANTY CARD (HKG) | | |
| 10 | X59422001 | WASHER | | | 41 | XF0300101 | INSERTION WEEE | | 1000043410 |
| 11 | XA6982001 | NUT | | | 42 | XE8541001 | INSERTION (for INNER ROTARY HOOK & INNER ROTARY HOOK BRACKET) | | |
| 12 | 061300606 | SCREW FLAT M3X6 | | | 43 | XE8862201 | INSERTION CE (DEU, UK, BEL&FRA, ESP, ITA, CHE, EEU, NEU, SGP&UAE, TUR) | | |
| 13 | 021300106 | NUT 1 M3 | | | 44 | XE9897001 | UKRAINIAN ROHS INSERTION (RUS) | | |
| 14 | XA5590121 | EMBROIDERY SHEET S2M ASSY | | | PACKAGE | | | | |
| 15 | XA5523020 | NET | | | 45 | XE4938001 | CARTON (RUS) | R | |
| 16 | X52800120 | BOBBIN | | | | XE3906001 | CARTON (EXCEPT RUS) | R | |
| 17 | XE3060001 | BOBBIN CLIP | | | 46 | XE3152101 | POLYSYRENE FOAM PAD TOP L | R | 1000031437 |
| 18 | XZ5082001 | SEAM RIPPER | | | 47 | XE3153101 | POLYSYRENE FOAM PAD TOP R | R | 1000031437 |
| 19 | X58358021 | Z NEEDLE ASSY | | | 48 | XE3158101 | POLYSYRENE FOAM PAD BOTTOM | R | 1000031437 |
| 20 | X59296121 | TWIN NEEDLE (1PC) | | | 49 | XE3159001 | ES PAD D | R | |
| 21 | X59476021 | CLEANING BRUSH | | | 50 | XE3161001 | SIDE PAD D | R | |
| 22 | XC1074051 | DISC-SHAPED SCREWDRIVER | | | 51 | XE3162001 | TOP PAD D | R | |
| 23 | XC4237021 | DRIVER ASSY | | | 52 | XE3163001 | ES CARTON | R | |
| 24 | XC1807121 | SCISSORS | | | 53 | XF2315101 | THREADER SUPPORT SF | R | 1000031437 |
| 25 | XE3062003 | POUCH ASSY | | | 54 | X60439121 | BAG 630X630T | | |
| 26 | X57367021 | BAG 135X150 | | | 55 | X60679021 | BAG, 450X400H | | |
| 27 | XZ5051001 | PUNCH | | | | | | | |
| 28 | 130012024 | SPOOL PRESSER A | | | | | | | |
| 29 | 130013124 | SPOOL PRESSER B | | | | | | | |
| 30 | XE1372001 | SPOOL PRESSER C | | | | | | | |
| 31 | XE3069001 | TOUCH PEN | | | | | | | |
| 32 | XE2241001 | EXTRA SPOOL PIN | | | | | | | |
| 33 | XD0745051 | USB I/F CORE CABLE | | | | | | | |
| USER MANUAL | | | | | | | | | |
| 34 | XE3848101 | INSTRUCTION BOOK ENG (English) | R | | | | | | |
| | XE3905001 | INSTRUCTION BOOK GER (German) | R | | | | | | |
| | XE4528001 | INSTRUCTION BOOK ITA (Italian) | R | | | | | | |
| | XE4299001 | INSTRUCTION BOOK FRE (French) | R | | | | | | |
| | XE4460001 | INSTRUCTION BOOK SPA (Spanish) | R | | | | | | |
| | XE4527001 | INSTRUCTION BOOK RUS (Russian) | R | | | | | | |
| | XE5385001 | INSTRUCTION BOOK DUT (Dutch) | R | | | | | | |
| | XE5298001 | INSTRUCTION BOOK KOR (Korean) | R | | | | | | |

SPARE PARTS



SPARE PARTS

| No. | CODE | NAME | R/H | REMARKS |
|-------------|-----------|---|-----|---------|
| DRIVER | | | | |
| 1 | XE2395001 | BOX SCREW DRIVER 6 | | |
| GAUGE | | | | |
| 2 | XA9152001 | TENSION GAUGE 10 | | |
| | XA9153001 | TENSION GAUGE 30 | | |
| | XA9154001 | TENSION GAUGE 50 | | |
| | XC2276001 | TENSION GAUGE 100 | | |
| 3 | XC2277001 | PUSH PULL GAUGE | | |
| 4 | XC2278001 | FEED GAUGE | | |
| GREASE, OIL | | | | |
| 5 | XC8385001 | MOLYKOTE EM30L | | |
| 6 | XC8387001 | EPNOC AP (N) 0 | | |
| 7 | XC8386001 | MOLYKOTE M DISPERSION * (EXCEPT USA) | | |
| 8 | XC8388001 | FBK OIL RO 100 | | |
| 9 | XZ0206051 | OILER | | |
| | | | | |
| | | | | |
| | | | | |
| | | | | |
| | | | | |
| | | | | |
| | | | | |
| | | | | |
| | | | | |
| | | | | |
| | | | | |
| | | | | |
| | | | | |
| | | | | |
| | | | | |
| | | | | |
| | | | | |
| | | | | |
| | | | | |
| | | | | |
| | | | | |
| | | | | |
| | | | | |
| | | | | |
| | | | | |
| | | | | |
| | | | | |
| | | | | |
| | | | | |
| | | | | |
| | | | | |
| | | | | |
| | | | | |
| | | | | |
| | | | | |
| | | | | |

* USA must purchase in the US. (It's not listed on the TSCA).

brother

01A08HF885V35